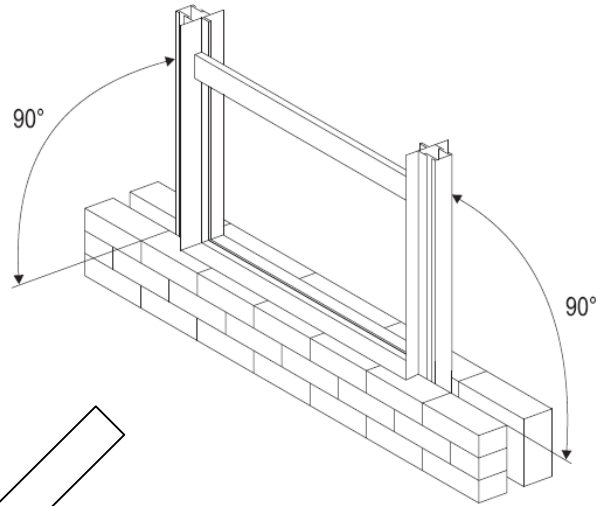
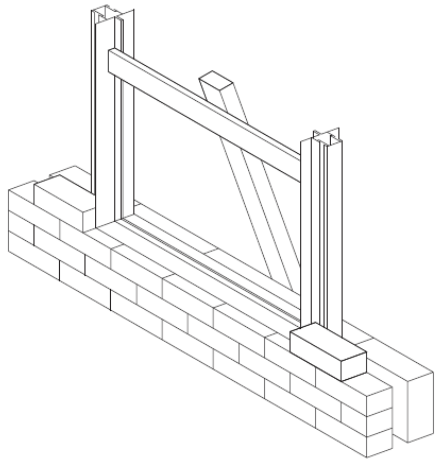


CAVALOK Cavity Closer Installation

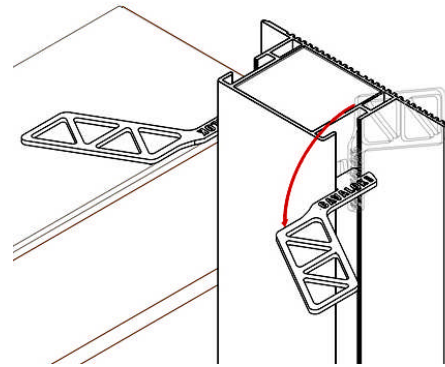
Check that the closer is level and square



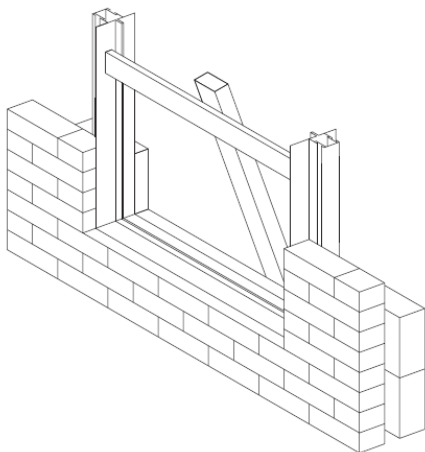
Prop the former to ensure it remains plumb, and build up the coursework around the former by one course



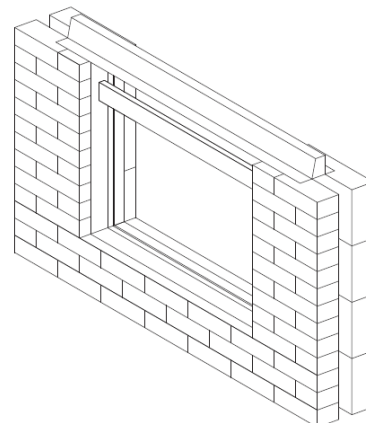
Insert a brick ties into the former, rotate by 90° and bed into mortar, on both inner and outer courses



Continue to build the coursework up around the frame in the normal manner, ensuring that the frame remains plumb. Brick ties should be inserted every third outer course, and every other inner course. (A minimum of three per vertical).



Build the inner and outer courses up to the lintel height. The lintel should be set 5mm over the former. Locate the lintel in position and bed into mortar. Allow mortar to set before removing the props and brace.



Throughout the building operation, the closure frame must be periodically checked to ensure that it remains true and square. Any movement or twisting in the frame could result in poor window fit. We recommend the use of a tape and spirit level to ensure that the frame is correctly installed.