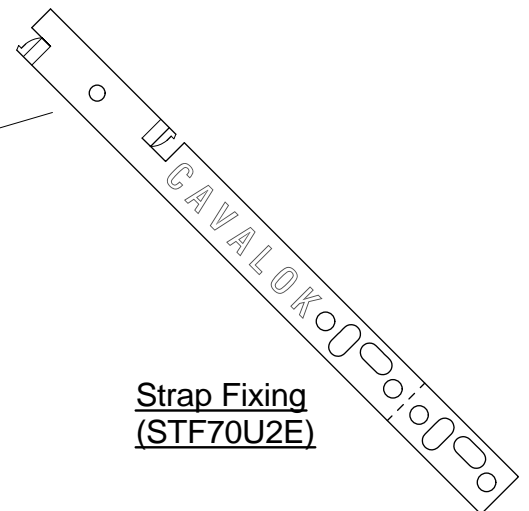


The "Internal Fit Bead" (IFB) allows for an accurate and uniform stopping point for the window to fit against that will also act as an attractive external finishing trim. This trim must be fitted at the factory and has **not** been designed as a site add on.

Although it is possible to use the Cavalok stainless steel locking clip system with such designs we must advise that the IFB has not been tested for this purpose due to variable criteria outside of testing control e.g. (variable window weight and design), as such the sole use of locking clips without the additional use of window strap fixings is not advised. Locking clips will aid in giving a good tension fit against the bead, however locking clips must be used in conjunction with a window strap fixing such as the Cavalok (STF70U2E) or similar to ensure safe and secure installation of window.



Internal Fit End Stop (IFB)

CAVALOK

CAVALOK BUILDING PRODUCTS